


## PRODUCT SHEET

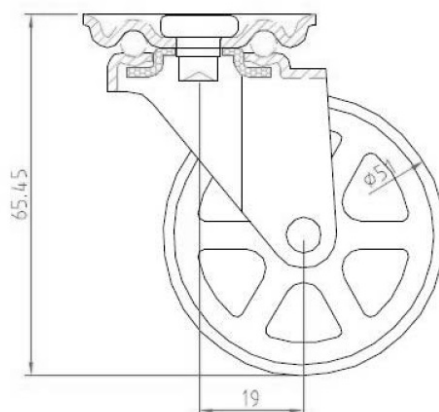
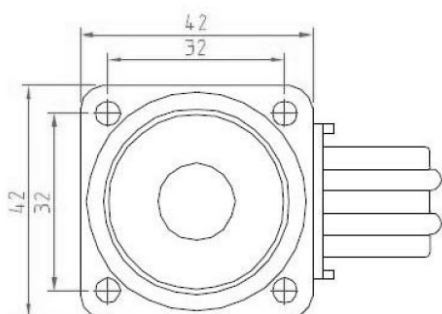
### Description:

Fork Castor "Jac" ø50mm, W/Top PL 42x42x2mm, Black PU Rings, Bright Anodized Aluminium Wheel, Chrome Pl. Steel Fork, Zinc, Plated Top Plate cc:32mm, Load Capacity: 40KG

### Item number:

08.12.350-0

Units	Box	Carton	HS Code	Barcode
Pcs.	8	64	8302200090	
				5704866478137



### SISO A/S

Mileparken 11  
DK-2740 Skovlunde  
Denmark  
VAT: DK 24786013

Phone +45 45 830 900

[www.siso.dk](http://www.siso.dk)  
[siso@siso.dk](mailto:siso@siso.dk)

Danske Bank  
Nytorv Branch  
Copenhagen  
SWIFT: DABADKKK

Account no.  
4180 3112 112936  
IBAN Account  
DK7230003112112936